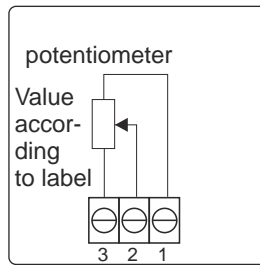


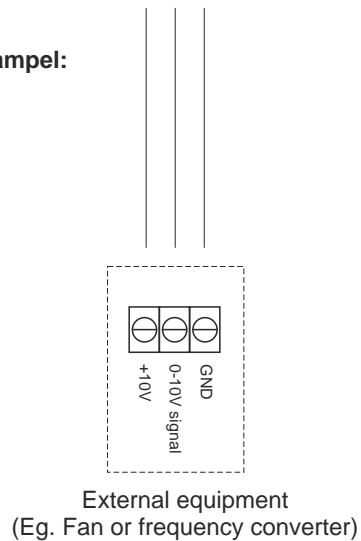
# Pot / Pot S / ES 925

## Potentiometer with or without switch

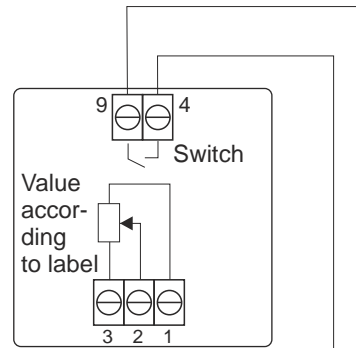
Pot without switch



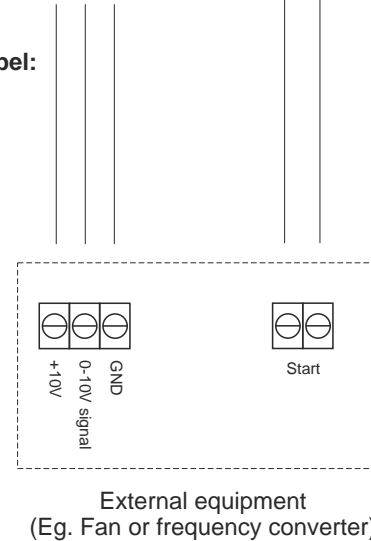
Connection example:



Pot with switch



Connection example:



### Technical data

#### Potentiometer without switch:

Potentiometer value:	According to label $\pm 20\%$ For specific and detailed potentiometer values please contact us for data sheet
Dimensions (HxWxD):	LSBOX85: 85 x 85 x 54 mm IP54: 80 x 82 x 54 mm
Enclosure:	LSBOX85: IP40 IP54: IP54
Temperature:	0 - 50°C

#### Potentiometer with switch:

Potentiometer value:	According to label $\pm 20\%$ For specific and detailed potentiometer values please contact us for data sheet
Switch:	1-pole (Normally Open)
Max load:	250 VAC, 10A peak load 4A inductive, 1A Capacitive
Min load:	5VDC 100mA
Dimensions (HxWxD):	LSBOX85: 85 x 85 x 54 mm IP54: 80 x 82 x 54 mm
Enclosure:	LSBOX85: IP40 IP54: IP54
Temperature:	0 - 50°C

### Description

Operating potentiometer compatible with the majority of manual regulators.  
These potentiometers comes in various potentiometer values with or without switch. The model with switch is equipped with a 1 pole switch.  
The switch is off when the button is turned contra clockwise and on when it is turned clockwise (a click is heard).

Drawing: 950-205226\_Potmeter\_ES925\_UK  
Rev.: 2.3  
Date: 21/03-2019  
Drawn by: FF/df/KM/UP  
Manufactured by: LS Control A/S

