

LS SmartConnect Gateway / ES 1140



LS SmartConnect Gateway is a device for connecting controllers with ModBus to the Internet (IoT). Our software ensures a secure connection to the internet without having to configure the router.

It requires a customer specific software profile to ensure correct translation of your specific ModBus protocol to LAN

To use the LS SmartConnect Gateway you must have a license to our LS SmartConnect Server as it is through this server you obtain the secure internet connection enabling the internet connection giving access to your product using a mobile phone or tablet.

Beside connecting a user app to your product through the gateway it is also possible to buy the service tool software LS SmartConnect Center. A fleet management system which makes it possible to overview and perform remote service for your products.

Each LS SmartConnect Gateway has a sticker on top of it with ID number. The ID number is used when making the secure connection to the internet and apps.

Technical Specifications

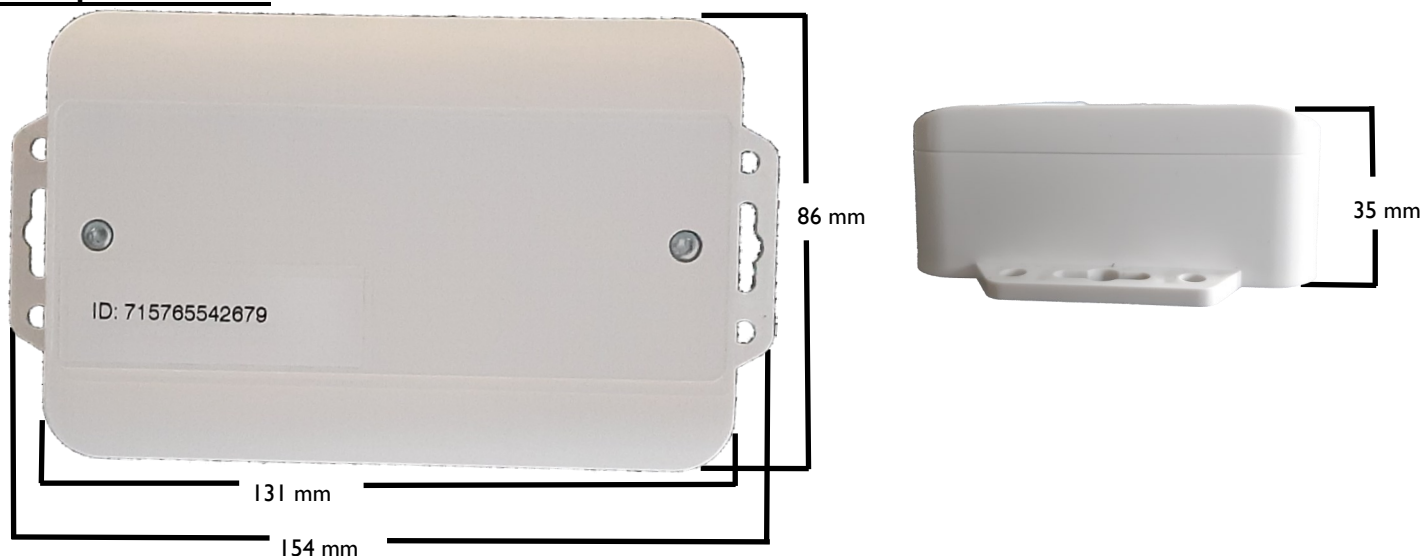
Supply:	230V 50Hz
Rated Power:	3W
Enclosure:	IP 20
Operating temperature:	-20°C - 50°C
Operating humidity:	5 –95% RH non condensing

Applied Standards

EN 61000-6-1:2007 Generic standards - Immunity for residential, commercial and light-industrial environments. EN 61000-6-3:2007 EMC Emission Testing of Residential, Commercial, and Light-Industrial Environments. EN 61000-6-3/A1:2011.

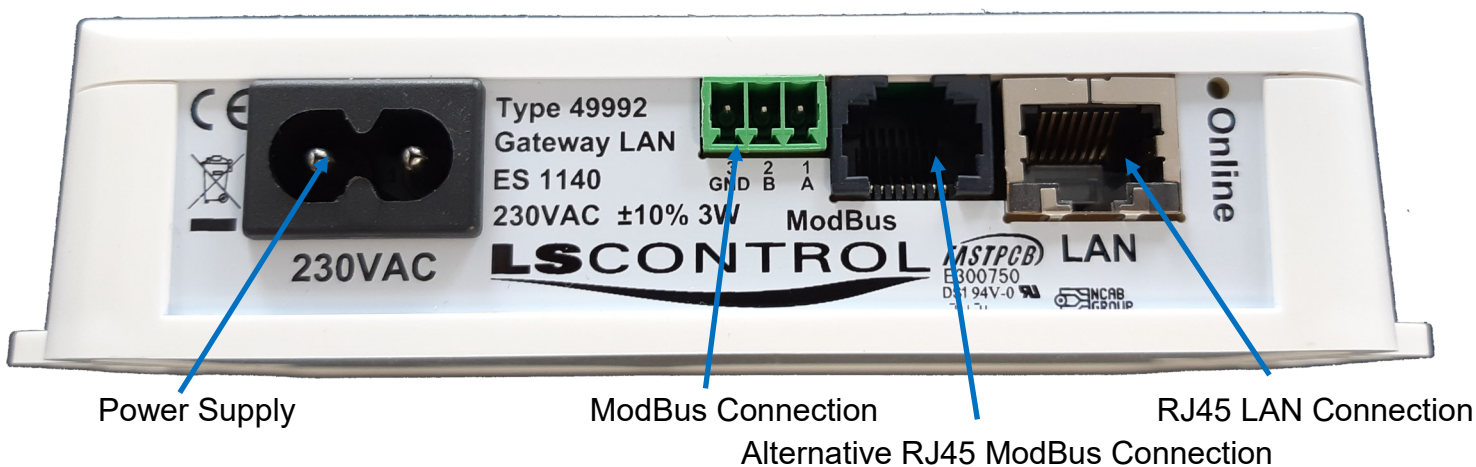
EN 60335-1:2012 Household and similar electrical appliances - Safety - Part 1: General requirements. EN 60335-1:2012/A1:2019, EN 60335-1:2012/A11:2014, EN 60335-1:2012/A2:2019, EN 60335-1:2012/A13:2017.

Size specifications



LS SmartConnect gateway is designed to be wall mounted using the mounting holes on each side of the box.

Connections



Power Supply

ModBus Connection

Alternative RJ45 ModBus Connection

RJ45 LAN Connection

Pin used in the alternative RJ45 ModBus Connection

- 1: GND (T-568A: green/white, T-568B: orange/white)
- 2 & 3 : Not in use
- 4: A (T-568A & T568B: blue)
- 5: B (T-568A & T568B: blue/white)
- 6, 7 & 8: Not in use